

## Technical Data Sheet

### DES 24

#### ***Splittable frame for pre-terminated cables***

- ▶ Multiple possible configurations in one frame size
- ▶ Frame screws in AISI304 Stainless Steel
- ▶ Integrated gasket
- ▶ Strain relief according to EN 62444
- ▶ Sturdy construction IK10
- ▶ Up to IP66



The DES 24 cable entry system consists of a splittable frame designed to accommodate small (SPP), multiple (X) or large (SPG) inserts for cables in the same frame. Future cable size changes can be easily accommodated.

Thanks to the robust construction, the DES 24 is a long lasting product.

#### **Technical data**






**Material:** PP+GF

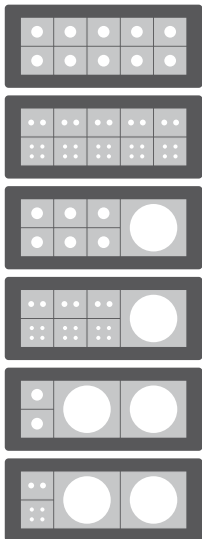
**Flammability:** self-extinguishing acc. to UL94-V0

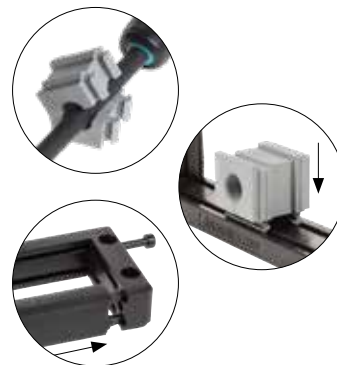
**Temperature:** -40°C... +155°C (static)

**Features:** halogens and silicones free

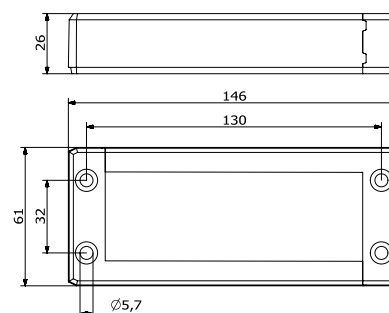
#### **Related products**

-  Inserts SPG and SPG M
-  Inserts SPP and SPP K
-  Inserts SPP 2x
-  Inserts SPP 4x
-  Flap frame

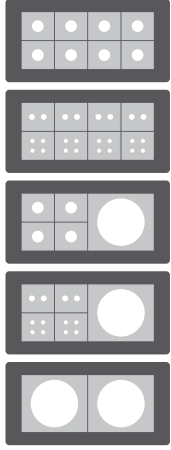
Model	Code	Some possible configurations	Cut-out [mm]	Pcs /pack
DES 24	1731010024		108 x 39	10
Upon request:	1731991020	Set of 4 mounting screws in AISI304 with Black Dacromet finishing		10



#### Dimensions [mm]



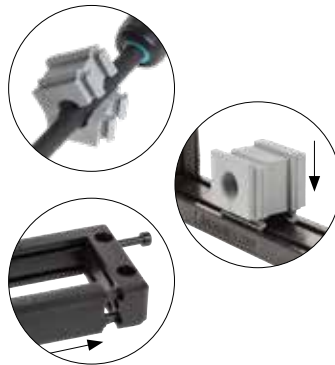
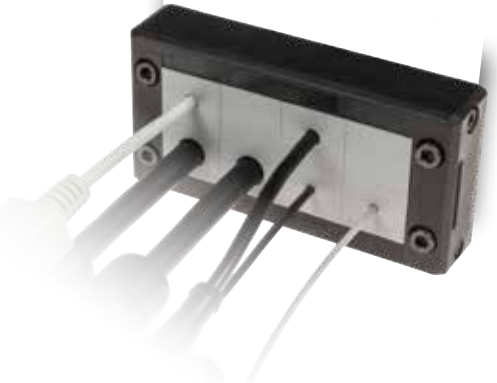
## Technical Data Sheet

Model	Code	Some possible configurations	Cut-out [mm]	Pcs /pack
DES 16	1731010016		86 x 39	10
Upon request:	1731991020	Set of 4 mounting screws in AISI304 with Black Dacromet finishing		10

## DES 16

### *Splittable frame for pre-terminated cables*

- ▶ Multiple possible configurations in one frame size
- ▶ Frame screws in AISI304 Stainless Steel
- ▶ Integrated gasket
- ▶ Strain relief according to EN 62444
- ▶ Sturdy construction IK10
- ▶ Up to IP66



The DES 16 cable entry system consists of a splittable frame designed to accommodate small (SPP), multiple (X) or large (SPG) inserts for cables in the same frame. Future cable size changes can be easily accommodated.

Thanks to the robust construction, the DES 16 is a long lasting product.

### **Technical data**






**Material:** PP+GF

**Flammability:** self-extinguishing acc. to UL94-V0

**Temperature:** -40°C... +155°C (static)

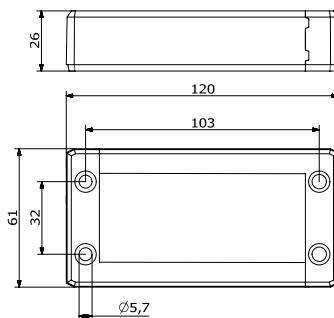
**Features:** halogens and silicones free

### **Related products**

-  Inserts SPG and SPG M
-  Inserts SPP and SPP K
-  Inserts SPP 2x
-  Inserts SPP 4x
-  Flap frame

Hydraulic punch driver HY360

### Dimensions [mm]

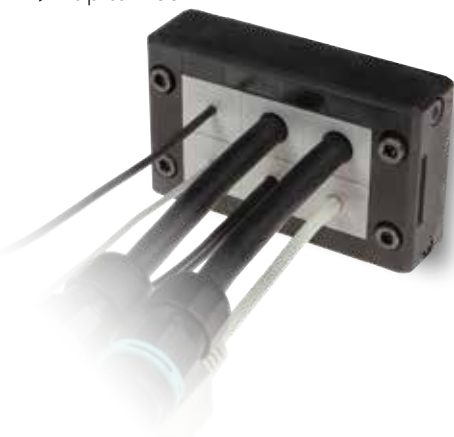


## Technical Data Sheet

### DES 10

#### Splittable frame for pre-terminated cables

- ▶ Multiple possible configurations in one frame size
- ▶ Frame screws in AISI304 Stainless Steel
- ▶ Integrated gasket
- ▶ Strain relief according to EN 62444
- ▶ Sturdy construction IK10
- ▶ Up to IP66



The DES 10 cable entry system consists of a splittable frame designed to accommodate small (SPP), multiple (X) or large (SPG) inserts for cables in the same frame. Future cable size changes can be easily accommodated.

Thanks to the robust construction, the DES 10 is a long lasting product.

#### Technical data






**Material:** PP+GF

**Flammability:** self-extinguishing acc. to UL94-V0

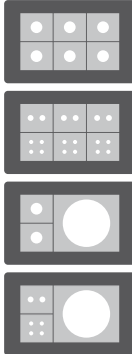
**Temperature:** -40°C... +155°C (static)

**Features:** halogens and silicones free

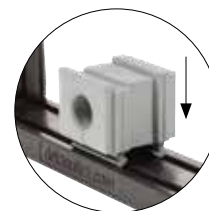
#### Related products

-  Inserts SPG and SPG M
-  Inserts SPP and SPP K
-  Inserts SPP 2x
-  Inserts SPP 4x
-  Flap frame

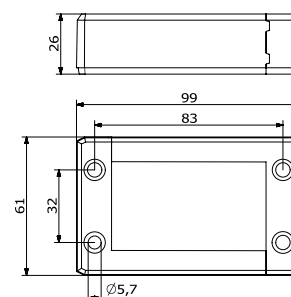
Hydraulic punch driver HY360

Model	Code	Some possible configurations	Cut-out [mm]	Pcs /pack
DES 10	1731010010		63 x 39	10

Upon request:	1731991020	Set of 4 mounting screws in AISI304 with Black Dacromet finishing	10
---------------	------------	---	----

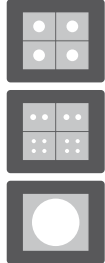


#### Dimensions [mm]



				up to IP66	up to NEMA 4X		IK10		 -40 +155 °C
---	---	---	---	------------	---------------	---	------	---	---

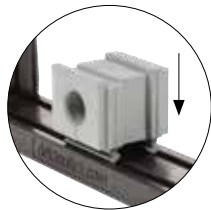
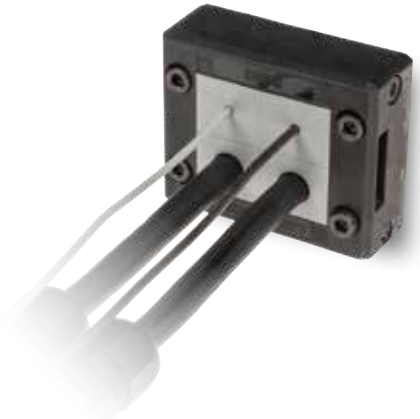
## Technical Data Sheet

Model	Code	Some possible configurations	Cut-out [mm]	Pcs /pack
DES Q	1731010008		40 x 39	10
Upon request:	1731991020	Set of 4 mounting screws in AISI304 with Black Dacromet finishing		10

## DES Q

### Splittable frame for pre-terminated cables

- ▶ Multiple possible configurations in one frame size
- ▶ Frame screws in AISI304 Stainless Steel
- ▶ Integrated gasket
- ▶ Strain relief according to EN 62444
- ▶ Sturdy construction IK10
- ▶ Up to IP66



The DES Q cable entry system consists of a splittable frame designed to accommodate small (SPP), multiple (X) or large (SPG) inserts for cables in the same frame. Future cable size changes can be easily accommodated.

Thanks to the robust construction, the DES Q is a long lasting product.

### Technical data

**Material:** PP+GF

**Flammability:** self-extinguishing acc. to UL94-V0

**Temperature:** -40°C... +155°C (static)

**Features:** halogens and silicones free

### Related products



Inserts SPG and SPG M



Inserts SPP and SPP K



Inserts SPP 2x



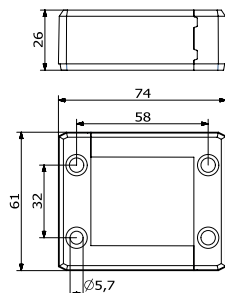
Inserts SPP 4x



Flap frame

Hydraulic punch driver HY360

### Dimensions [mm]



## Technical Data Sheet

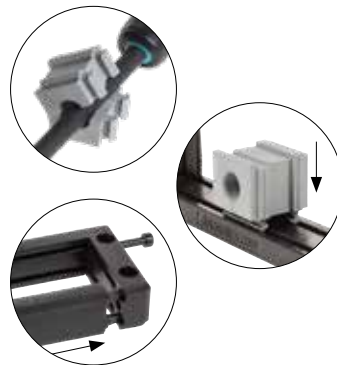
### DES L2/L3

#### Splittable frame for pre-terminated cables

- ▶ Multiple possible configurations in one frame size
- ▶ A small number of cables can be easily accommodated.
- ▶ Frame screws in AISI304 Stainless Steel
- ▶ Integrated gasket
- ▶ Strain relief according to EN 62444
- ▶ Sturdy construction IK10
- ▶ Up to IP66



Model	Code	Some possible configurations	Cut-out [mm]	Pcs /pack
DES L2	1731010002		40 x 18	10
DES L3	1731010003		63 x 18	10
Upon request:	1731991010	Set of 2 mounting screws in AISI304 with Black Dacromet finishing		10



The DES L2 and L3 splittable frames enable pre-terminated cables from 2 to 16mm in diameter to pass through enclosure walls, providing strong strain relief and water protection.

#### Technical data

**Material:** PP+GF

**Flammability:** self-extinguishing acc. to UL94-V0

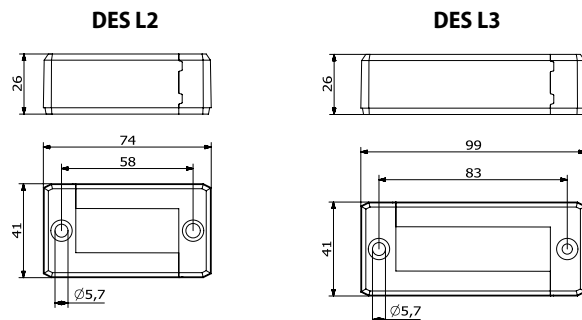
**Temperature:** -40°C... +155°C (static)

**Features:** halogens and silicones free

#### Related products

- Inserts SPP and SPP K
- Inserts SPP 2x
- Inserts SPP 4x

#### Dimensions [mm]



## Technical Data Sheet

Model	Code	Some possible configurations	Cut-out [mm]	Pcs /pack
DES L4	1731010004		86 x 18	10
DES L5	1731010005		108 x 18	10
Upon request:	1731991010	Set of 2 mounting screws in AISI304 with Black Dacromet finishing		10

## DES L4/L5

### Splittable frame for pre-terminated cables

- ▶ Multiple possible configurations in one frame size
- ▶ A small number of cables can be easily accommodated.
- ▶ Frame screws in AISI304 Stainless Steel
- ▶ Integrated gasket
- ▶ Strain relief according to EN 62444
- ▶ Sturdy construction IK10
- ▶ Up to IP66



The DES L4 and L5 splittable frames enable pre-terminated cables from 2 to 16mm in diameter to pass through enclosure walls, providing strong strain relief and water protection.

### Technical data

**Material:** PP+GF

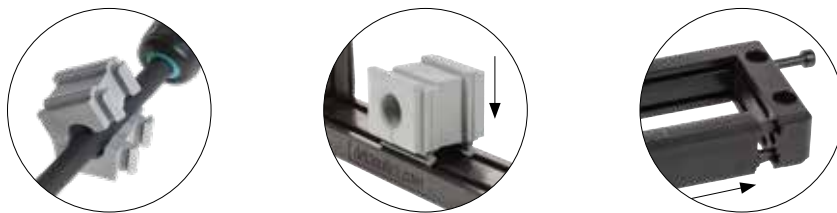
**Flammability:** self-extinguishing acc. to UL94-V0

**Temperature:** -40°C... +155°C (static)

**Features:** halogens and silicones free

### Related products

- Inserts SPP and SPP K
- Inserts SPP 2x
- Inserts SPP 4x



### Dimensions [mm]

